

Stock Code: **20399LEDMGCNE-WH**

Collection: Cone

PRODUCT INFORMATION

Base: 20399 (Cone) Parent: 20399LEDMGCN
Mounting Type: Wall UPC: 641594228120
Finish: White
Diffuser: N/A

PRODUCT MEASUREMENTS

FIXTURE	BACKPLATE / CANOPY
Length:	Length 0.5"
Width: 7.5"	Width: 5"
Diameter	Diameter:
Height: 6"	Height: 5"
Extension: 6"	
Overall Height:	

TECHNICAL SPECIFICATIONS

SPECIFICATIONS

Frame Material: Aluminum
Diffuser Material: N/A
Lamping Type: SSL (Dedicated LED) Jbox: Standard
Lamping Base: SSL Lamp Wattage: 3 W
Lamp Quantity: 2 Total Wattage: 6 W
Voltage: 120v Lamps Included: Yes

QUALIFICATIONS

Location Rating Wet
Certification: UL (US/Canada) Listed
ADA Compliant: No Energy Star: No
JA8 Compliant: Outdoor Only Emergency Lighting: No
Marine Grade Finish: Yes
Warranty: 5 Year

PHOTOMETRICS

Dimmable: No Nominal Lumens 480 Lm
CRI: 90 Delivered Lumens: 312 Lm
CCT: 3000K
Recommended Dimmers:

ADDITIONAL NOTES

4 fully adjustable louvers; Optional Color Temperature 100 Piece
Minimum Order Quantity; Custom Finish 100 Piece Minimum
Order Quantity

Project Name: _____

Location: _____

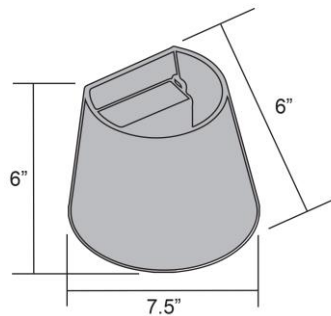
Type: _____

Quantity: _____

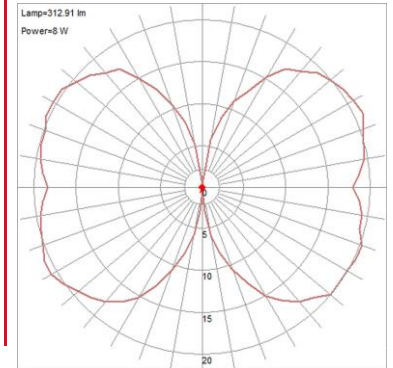
Notes:



LINE DRAWING



IES FILE



In addition to Access Lighting's purchase and warranty terms and conditions, by signing below or placing an order, you agree that you are authorized to bind the entity placing any order and acknowledge the following: All of sizes and measurements are approximate and all images are for illustrative purposes only. In the event of an inconsistency, the "Product Measurements" section controls. There also may be slight differences in the colors and designs compared to the displayed and printed images.

Signature: _____

Print Name _____ Date: _____

Toll Free 800-828-5483 www.AccessLighting.com

14410 Myford Road, Irvine, CA 92606

The information is subject to change without notice. 12/22/2022 20399LEDMGCNE-WH.pdf

